

Mechatronics AC Axial Fans - Options

Tachometer Alarm Output

Some of our AC fan models are available with optional tachometer alarm output.

Customers must supply AC voltage to run the fan and a separate DC voltage to power the alarm circuit.

The signal is a 1 pulse per revolution, square wave, open collector output.

Open collector – this option does not have a voltage output. The customer must add a pull up resistor across a power source in their system in order to get their desired voltage on the alarm signal.

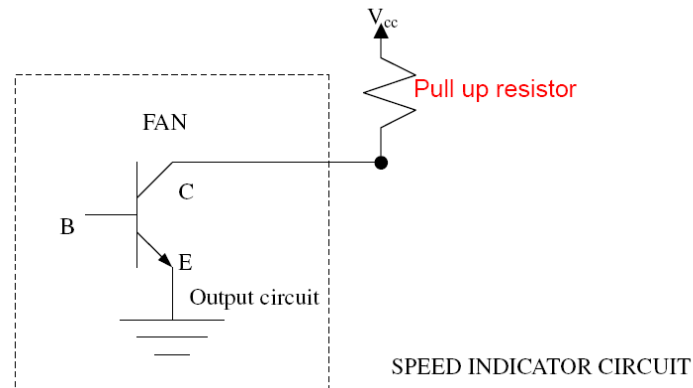
AC fans with the tachometer alarm option will have 3 additional lead wires.

Red = +5vdc ~ +12vdc input

Black = negative DC

White = alarm output

$I_{ce} = 5\text{mA (MAX)}$, $V_{cc} = 12\text{V (MAX)}$



This is an alarm output. It is not required to be hooked up in order for the fan to operate.