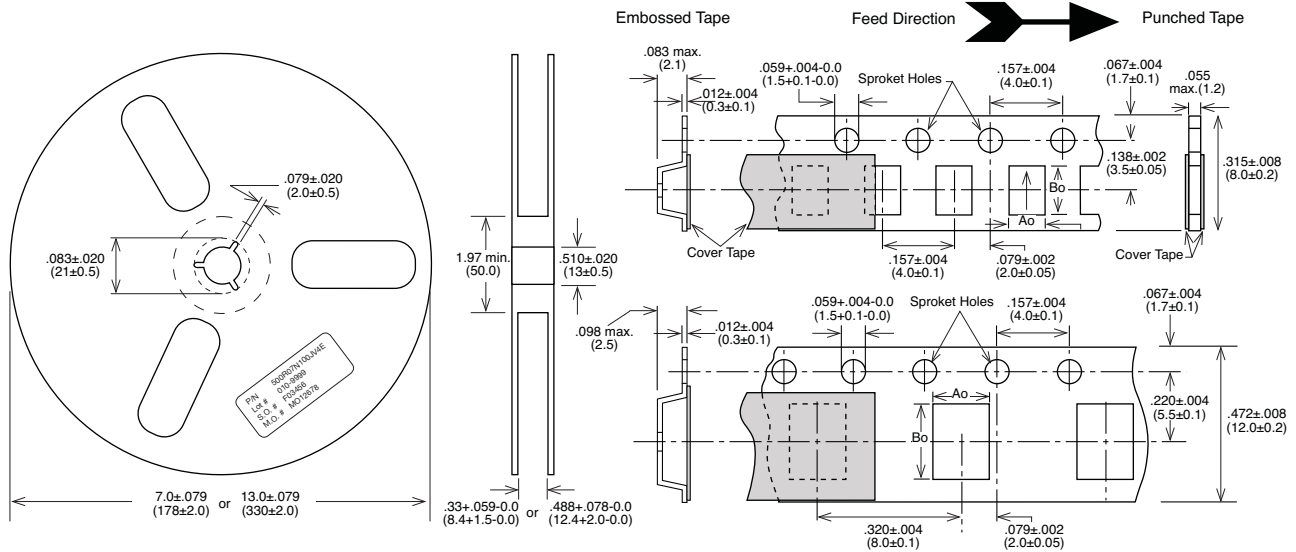


CAPACITOR PACKAGING & MARKING

Johanson capacitors are available taped per EIA standard 481. Tape options include 7" and 13" diameter reels. Johanson uses high quality, dust free, punched 8mm paper tape and plastic embossed 8mm tape and plastic embossed 8mm tape for thicker MLCCs. Quantity per reel ranges are listed in the tables below and are dependent on chip thickness.



COMPONENT	7" DIAMETER REEL				13" DIAMETER REEL			
	REEL QTY	TAPE TYPE / SIZE		CODE	REEL QTY	TAPE TYPE / SIZE		CODE
R05 / 0201 MLCC	15000	Paper	8mm	T	N/A	N/A		N/A
R07 / 0402 MLCC	10000	Paper	8mm	T	N/A	N/A		N/A
R14 / 0603 MLCC	4000	Paper	8mm	T	10000	Paper	8mm	R
R15 / 0805 MLCC	3000 - 4000	Paper / Embossed	8mm	T	10000	Paper / Embossed	8mm	U
R18 / 1206 MLCC	3000 - 4000	Paper / Embossed	8mm	T	10000	Paper / Embossed	8mm	U
S41 / 1210 MLCC	2000 - 3000	Embossed	8mm	E	5000-10000	Embossed	8mm	U
R29 / 1808 MLCC	2000	Embossed	12mm	E	5000	Embossed	12mm	U
R30 / 2211 MLCC	2000	Embossed	12mm	E	5000	Embossed	12mm	U
S43 / 1812 MLCC	500 - 1000	Embossed	12mm	E	3000 - 5000	Embossed	12mm	U
S47 / 2220 MLCC	500 - 1000	Embossed	12mm	E	2000 - 5000	Embossed	12mm	U
S49 / 1825 MLCC	500 - 1000	Embossed	12mm	E	2000 - 4000	Embossed	12mm	U
S48 / 2225 MLCC	500 - 1000	Embossed	12mm	E	2000 - 4000	Embossed	12mm	U
X14 / 0603 X2Y	4000	Paper	8mm	T	10000	Paper	8mm	R
X15 / 0805 X2Y	4000	Embossed	8mm	E	10000	Embossed	8mm	U
X18 / 1206 X2Y	3000 - 4000	Embossed	8mm	E	10000	Embossed	8mm	U
X41 / 1210 X2Y	2000 - 3000	Embossed	8mm	E				
X44 / 1410 X2Y	1000 - 2000	Embossed	8mm	E				
X43 / 1812 X2Y	1000	Embossed	8mm	E				