

7x12mm Fir Tree Push Mount Tie

7x12mm Fir Tree Push Mount Tie

HellermannTyton's 7x12mm Fir Tree Push Mount Tie offers a simple and easy method for bundling and mounting cables, wires and hoses. The unique fir tree design of the push mount provides one mounting solution for a wide range of applications with various panel thicknesses. The tie is ideally suited for the mounting of wire harnesses in oval and rectangular 7x12mm panel holes and blind assembly holes. The tie is also compatible with a series of HellermannTyton cable tie tools (MK7P, MK7, MK7HT, MK9, and MK9HT) to provide an easy, safe and ergonomically friendly installation around the bundle.

Product Features

- Low fir tree mount insertion force reduces installation time and installer fatigue.
- High fir tree mount extraction force ensures a secure fit of the bundle in its application.
- Disc feature minimizes the ingress of dust, dirt, and water into the application mounting hole and helps prevent the bundle from wobbling.
- Outside serrations on the tie strap minimize potential indentation or damage to the bundle.
- Low-profile head design allows the tie to follow the contour of the bundle and centers the bundle directly over the mounting hole.



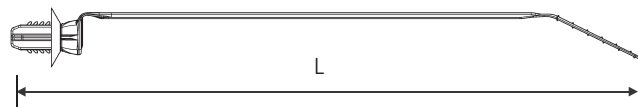
Applications

- Automotive Wire Harnesses
- Truck and Heavy Duty Equipment Wire Harnesses
- Aerospace and Rail Wire Harnesses
- White Goods Wire Harnesses

Material Data	
Material	Polyamide 6.6 Heat Stabilized
Color	Black
Operating Temperature	-40°F (-40°C) to +221°F (105°C) Continuous
Flammability	UL94 V2

RoHS

HF
(Inlogentzwei)

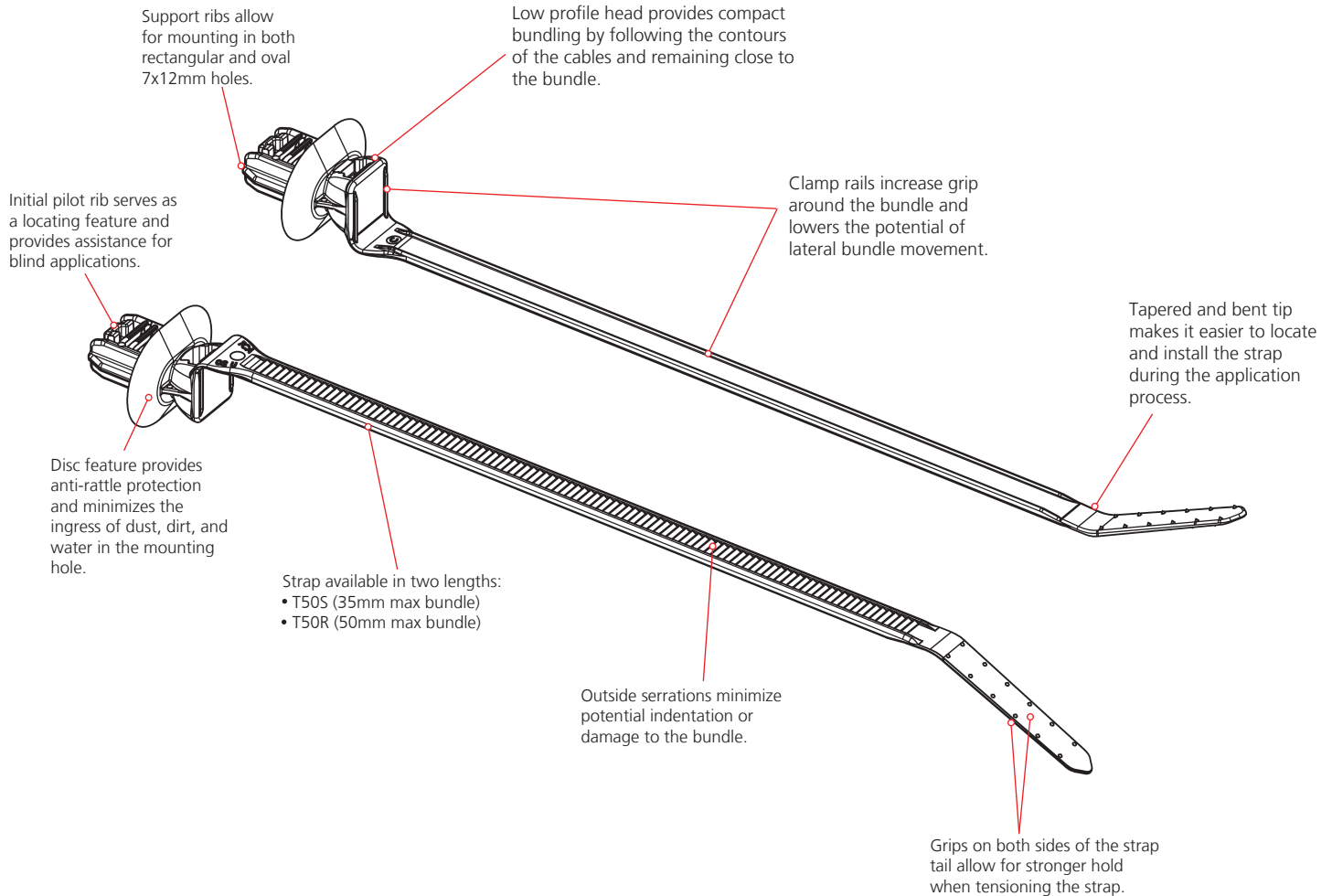


Product Selection

Article No.	Part No.	Type	Min. Tensile Strength	Mounting Hole	Panel Thickness	Length (L)	Max Bundle	Width (W)	Color	Pkg. Qty
			lbs. (N)	in. (mm)	in. (mm)	in. (mm)	in. (mm)	in. (mm)		
157-00053	157-00053	T50SOSFT7X12U	50 (225)	.276"x.472" (7.0 x12.0)	.023"-.256" (0.6 - 4.0)	6.51" (164.9)	1.38" (35)	.20" (5.1)	Black	500
157-00054	157-00054	T50ROSFT7X12U	50 (225)	.276"x.472" (7.0 x12.0)	.023"-.256" (0.6 - 4.0)	8.51" (215.9)	1.97" (50)	.20" (5.1)	Black	500

Use Part No. for ordering and Type for specification

Detailed Product Description



HellermannTyton

HellermannTyton North American Corporate Headquarters

7930 N. Faulkner Rd, PO Box 245017
Milwaukee, WI 53224-9517
Phone: (414) 355-1130. (800) 537-1512
Fax: (414) 355-7341, (800) 848-9866
email: corp@htamericas.com
www.hellermann.tyton.com

TS16949:2002, ISO 9001:2000, and ISO14001 Certified

HellermannTyton Canada

Unit #4, 205 Industrial Parkway North
Aurora, Ontario L4G 4C4 Canada
Phone: (800) 661-2461
Fax: (800) 390-3904
email: sales@hellermannntyton.ca

HellermannTyton Mexico

Anillo Periferico Sur 7980 Edificio 2-D
Parque Industrial Tecnologico II
Tlaquepaque, Jalisco, Mexico 45600
Phone: 011-52-33-3-133-9880
Fax: 011-52-33-3-133-9861
email: info@hellermannntyton.com.mx